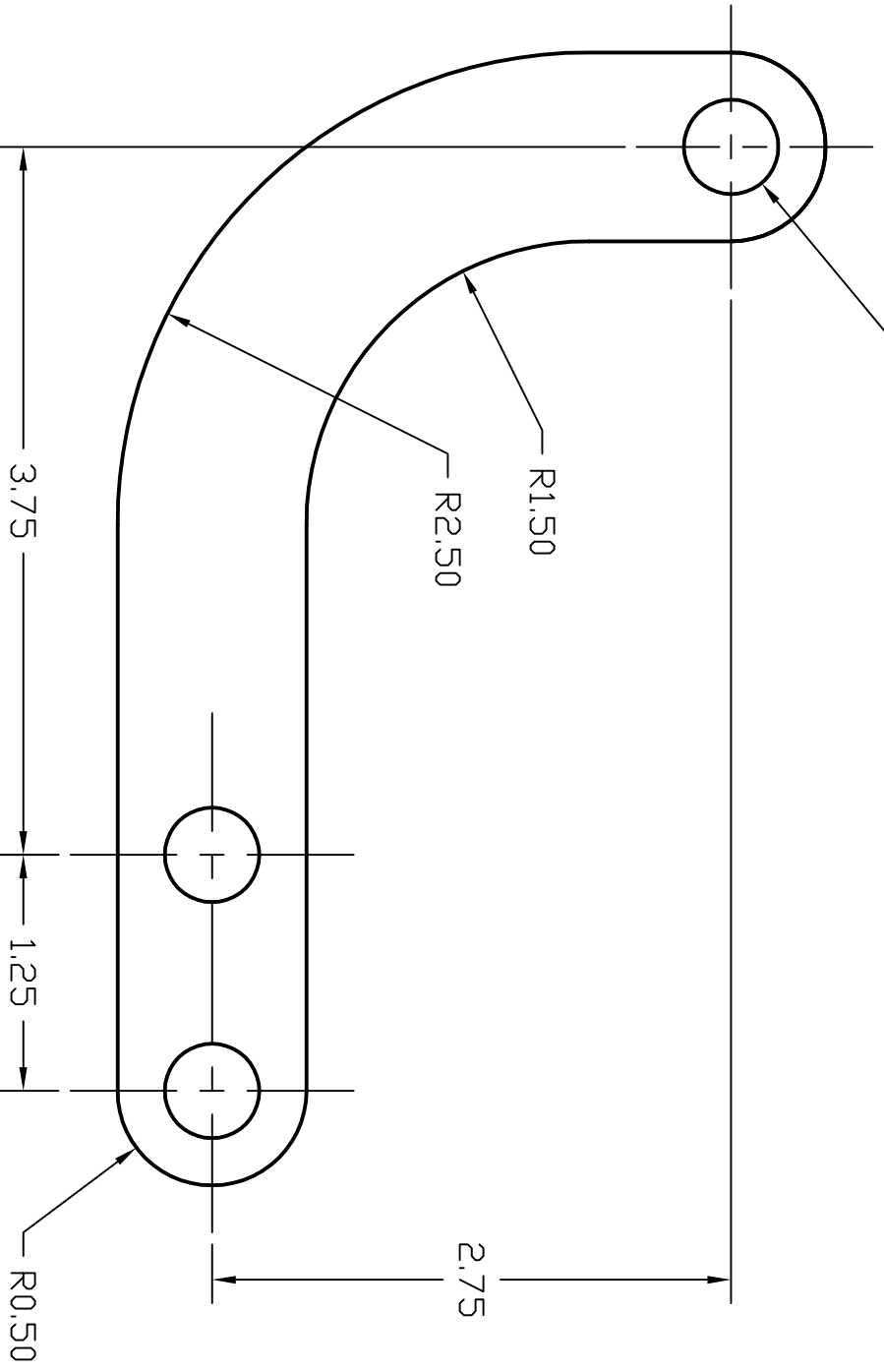


Ø0.50 3 HOLES



ASSIGNMENT #15

<STUDENT'S NAME>

1=1

<DATE>

15-2