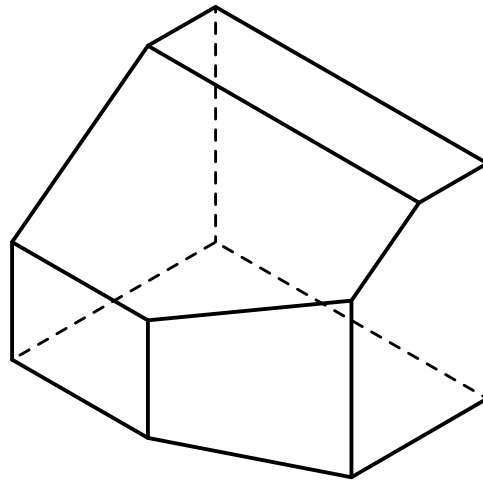
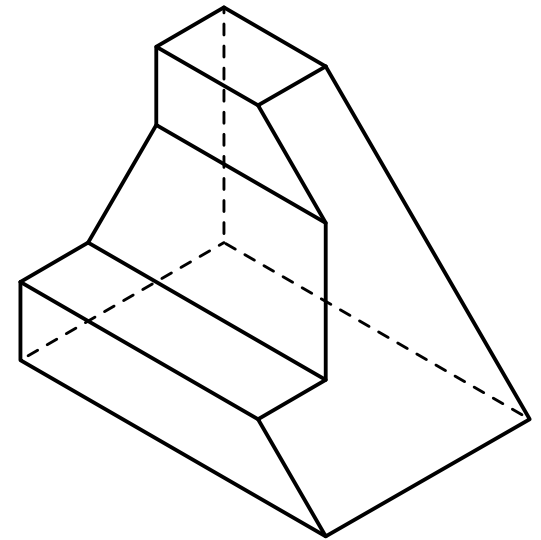


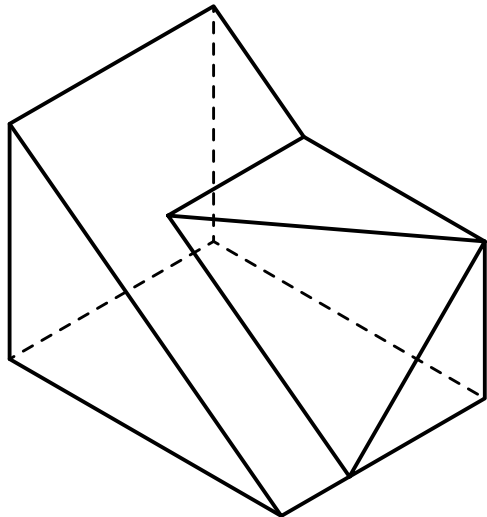
PROBLEM 07



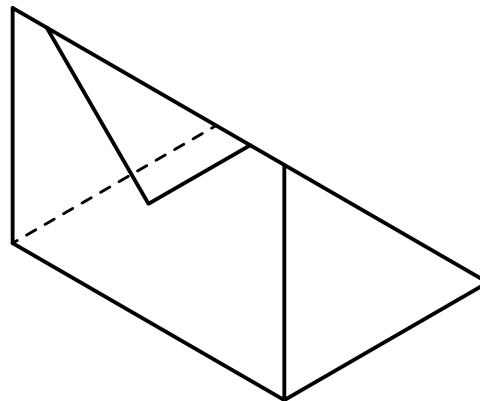
PROBLEM 08



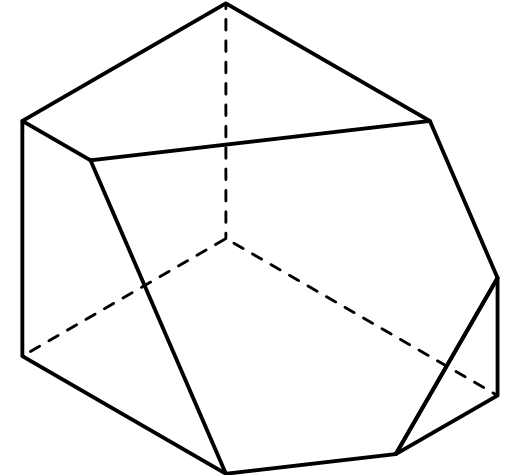
PROBLEM 09



PROBLEM 10



PROBLEM 11



PROBLEM 12

**COMMUNITY COLLEGE
OF ALLEGHENY COUNTY**

COURSE: CAD APPLICATIONS

DRAWN
BY:

STUDENT'S NAME

DATE:

DATE

FILE
NAME:

FILE NAME

PART
NAME:

ASSIGNMENT #5

SCALE:

SCALE