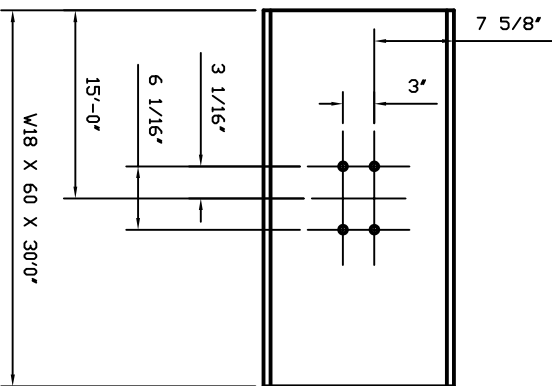


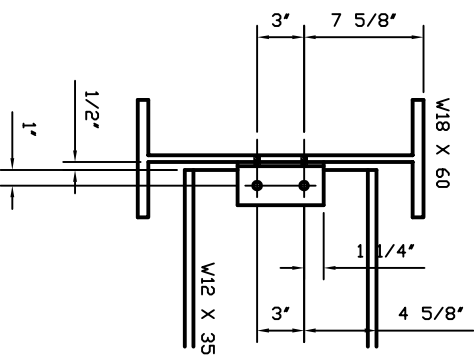
### PART PLAN

SCALE: 1/8" = 1'0"



### BEAM 2B1

SCALE: 1" = 1'0"



### CONNECTION DETAIL

SCALE: 1 1/2" = 1'-0"

### NOTES:

- SPEC: AISC LATEST EDITION
- MATL: ASTM A36
- HOLE: 13/16"
- PAINT: AS PER SPEC.
- BDLTS: 3/4" DIA. ASTM A325

<b>CCAC SOUTH CAMPUS</b> <b>WEST MIFFLIN, PA.</b>	
<b>FRAMING PLAN</b>	
(STUDENT'S NAME) <small>DRS. BY:</small>	
(DATE) <small>DATE:</small>	AS NOTED <small>SCALE:</small>
<b>14</b>	