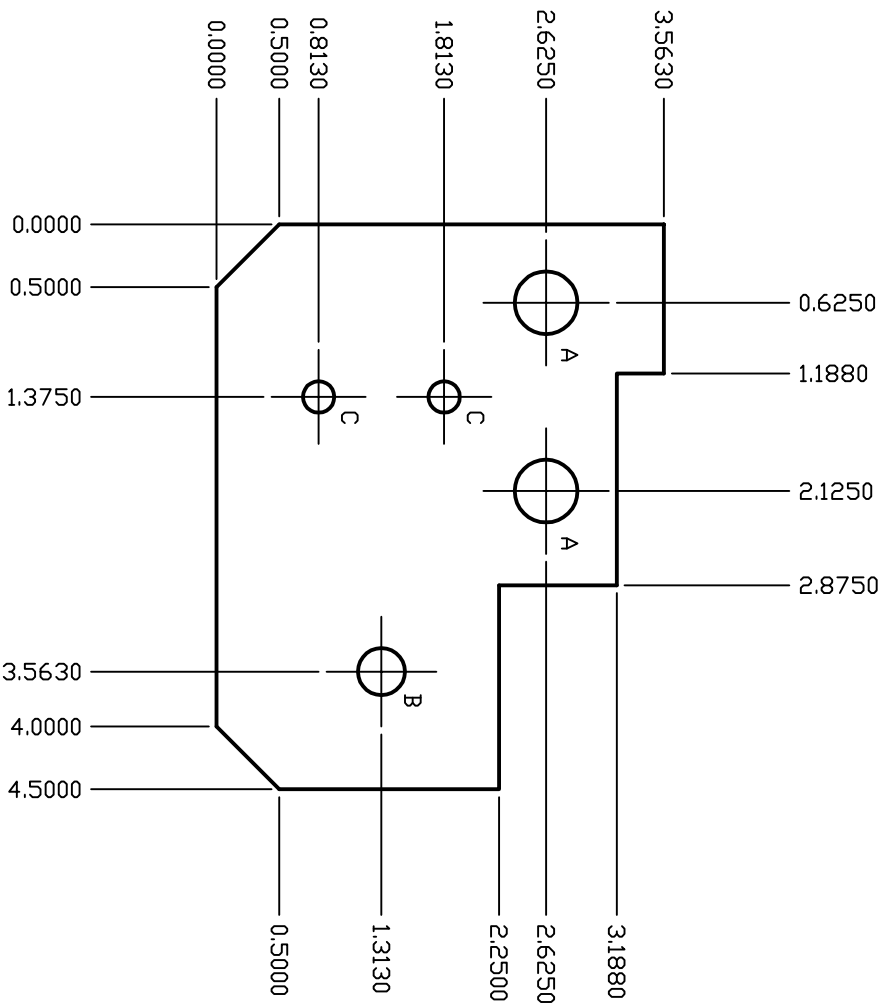


HOLE	QTY	DIAMETER
A	2	0.500
B	1	0.375
C	2	0.250



CCAC SOUTH CAMPUS
WEST MIFFLIN, PA.
ORDINATE DIMENSIONS

(STUDENT'S NAME)
DR. BY:

(DATE)
DATE

1=1
SCALE

11D

END1R2D.VG