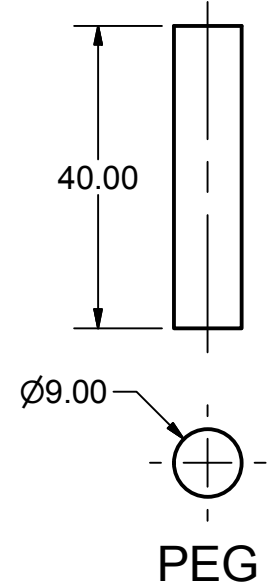
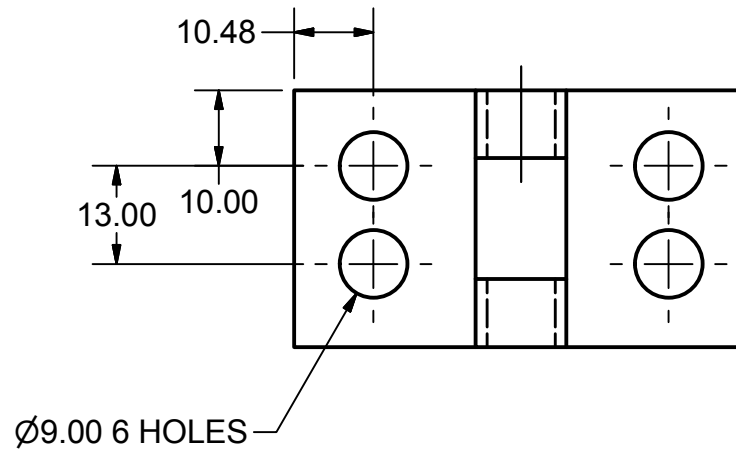
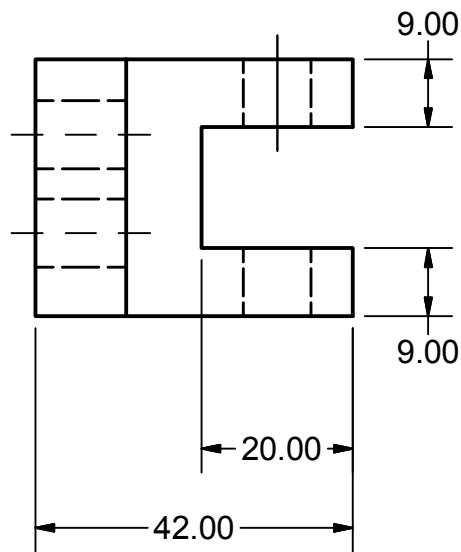


LINKAGE

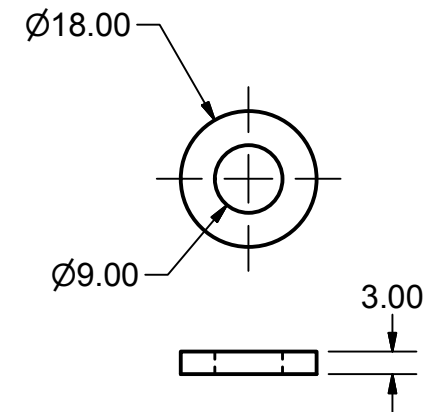


PEG



Ø9.00 6 HOLES

SUPPORT BLOCK



WASHER

**COMMUNITY COLLEGE  
OF ALLEGHENY COUNTY**

COURSE:	INTRODUCTION TO PARAMETRIC MODELING	DRAWN BY:	STUDENT'S NAME	DATE:	DATE
FILE NAME:	FILE NAME	PART NAME:	PART NAME	SCALE:	SCALE