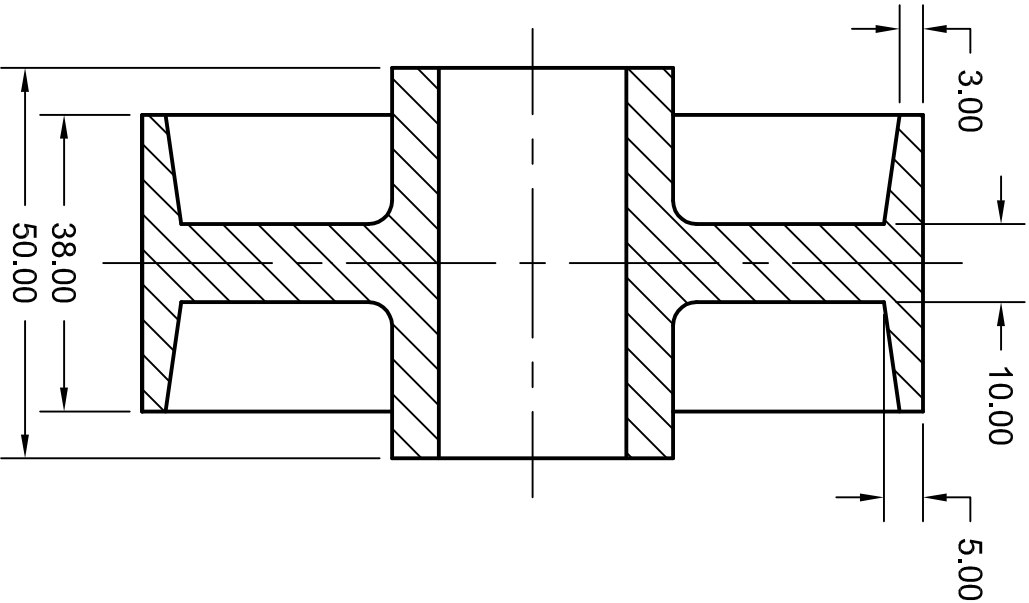


NOTES
 PART 2 - WHEEL
 MATERIAL - CAST IRON
 FILLETS R3



WHEEL ASSEMBLY

(STUDENT'S NAME)

1mm=1mm

(DATE)

2/5