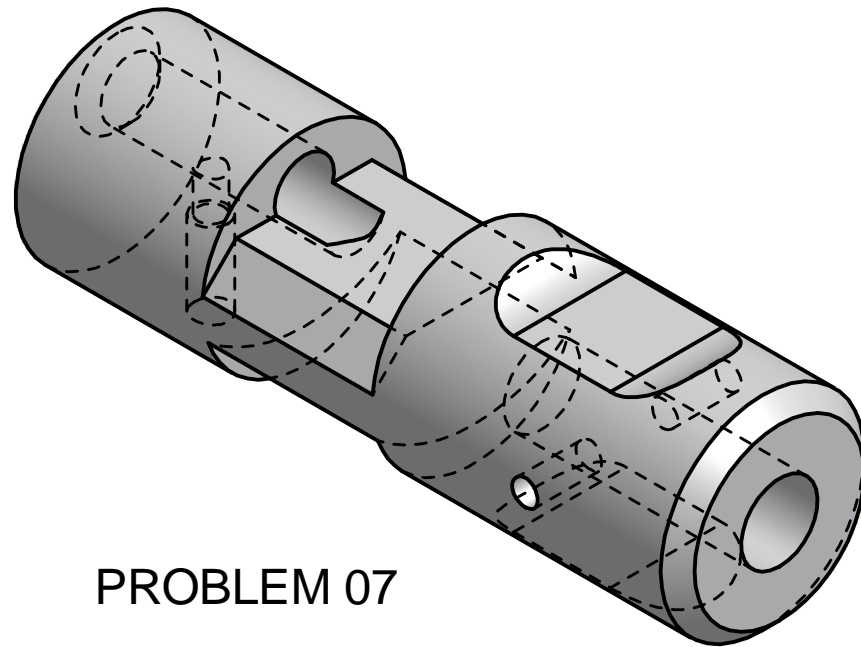


PROBLEM 06



PROBLEM 07

**COMMUNITY COLLEGE
OF ALLEGHENY COUNTY**

| | | | | | |
|---------------|--|---------------|----------------|--------|-------|
| COURSE: | INTRODUCTION TO PARAMETRIC MODELING | DRAWN BY: | STUDENT'S NAME | DATE: | DATE |
| FILE NAME: | FILE NAME | PART NAME: | WORKSHEET 02 | SCALE: | SCALE |