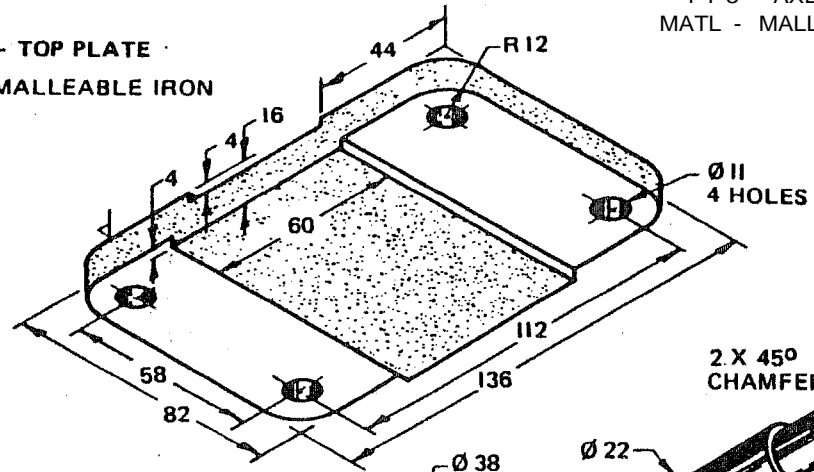
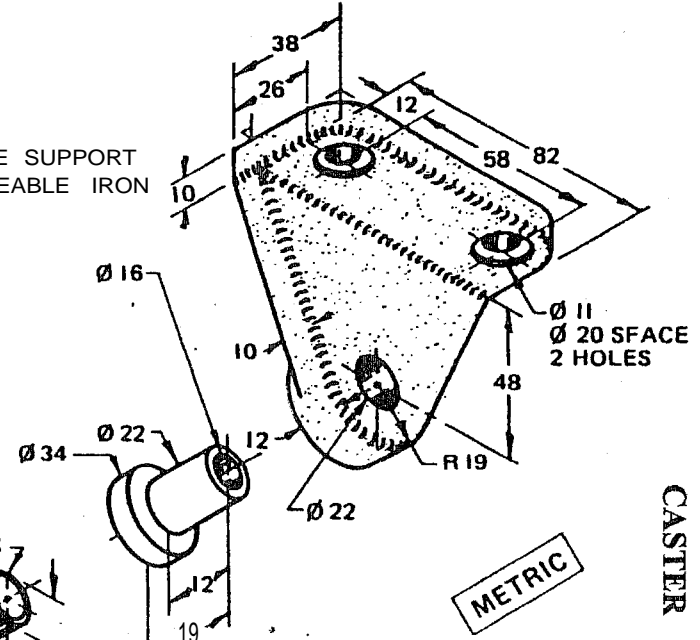


PT 1 - TOP PLATE  
MATL - MALLEABLE IRON



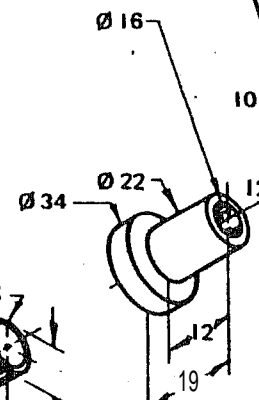
PT 3 - AXLE SUPPORT  
MATL - MALLEABLE IRON



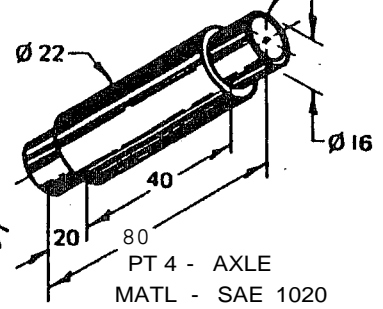
CASTER

METRIC

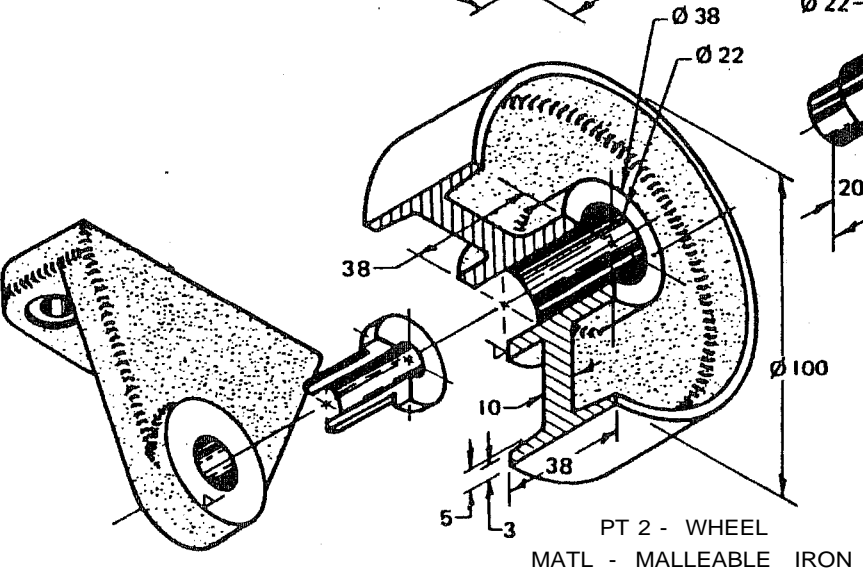
PT 5 - BUSHING  
MATL - BRONZE



2 X 45°  
CHAMFER



PT 4 - AXLE  
MATL - SAE 1020



PT 2 - WHEEL  
MATL - MALLEABLE IRON

FASTEN ASSEMBLY TO A 6mm STEEL PLATE BY FOUR M 10 X 50mm LG HEX HD BOLTS, NUTS AND LOCK WASHERS. SHOW THE STEEL PLATE IN PHANTOM LINES.

ROUNDS AND FILLETS R 3