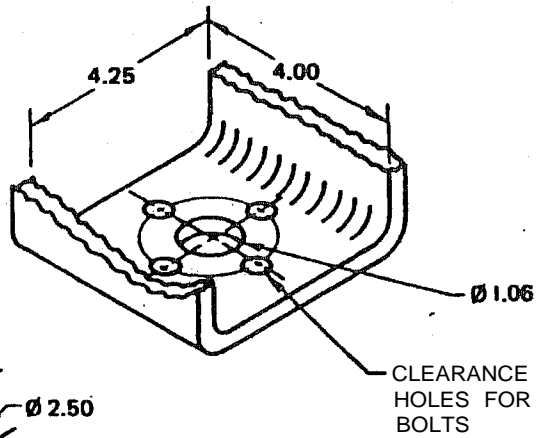


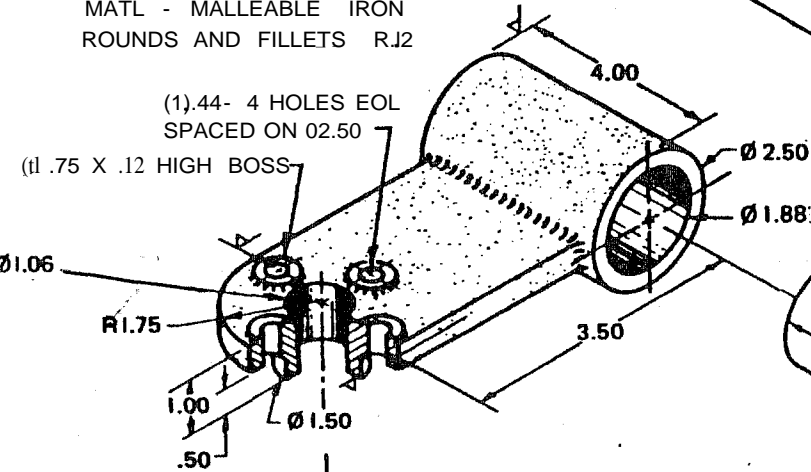
PARTIAL DETAIL OF MOUNTING BRACKET



PT I - LINK  
MATL - MALLEABLE IRON  
ROUNDS AND FILLETS R.12

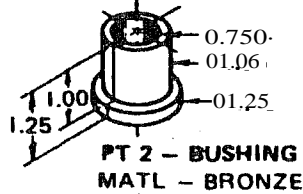
(1).44- 4 HOLES EOL  
SPACED ON Ø2.50

(Ø.75 X .12 HIGH BOSS)

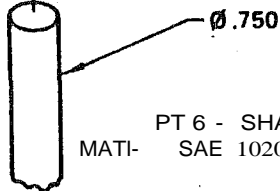


PT 3 - BUSHING  
MATL - BRONZE

PT 4 - SHAFT  
MATL - SAE 1020 8.00 LG



PT 6 - SHAFT  
MATL - SAE 1020 12.00 LG



FASTEN ASSEMBLY TO THE 6 INCH STEEL MOUNTING BRACKET SHOWN BY FOUR .375 X 1.25 IG HEX HD BOLTS, NUTS AND LOCK WASHERS. SHOW THE STEEL PLATE IN PHANTOM LINES.

CONNECTING LINK